

Manufacturing tolerance : refer to technical datasheet

This document contains confidential information. It remains our entire property and can neither be reproduced nor communicated to third parties by whatever means, nor used for own purposes, in particular for the execution of what is represented thereon, without our written authorization.



Gert-Noël-Strasse
 B-4731 Eynatten - Belgium
 Tel +32 (0)87 85 85 00
 www.nmc-decoration.com
 info@nmc.eu

Product line

WALLSTYL®

Profile/Product name

FT1

Material

HDPS

Density

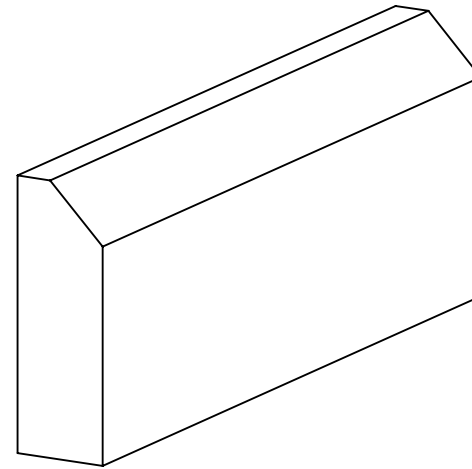
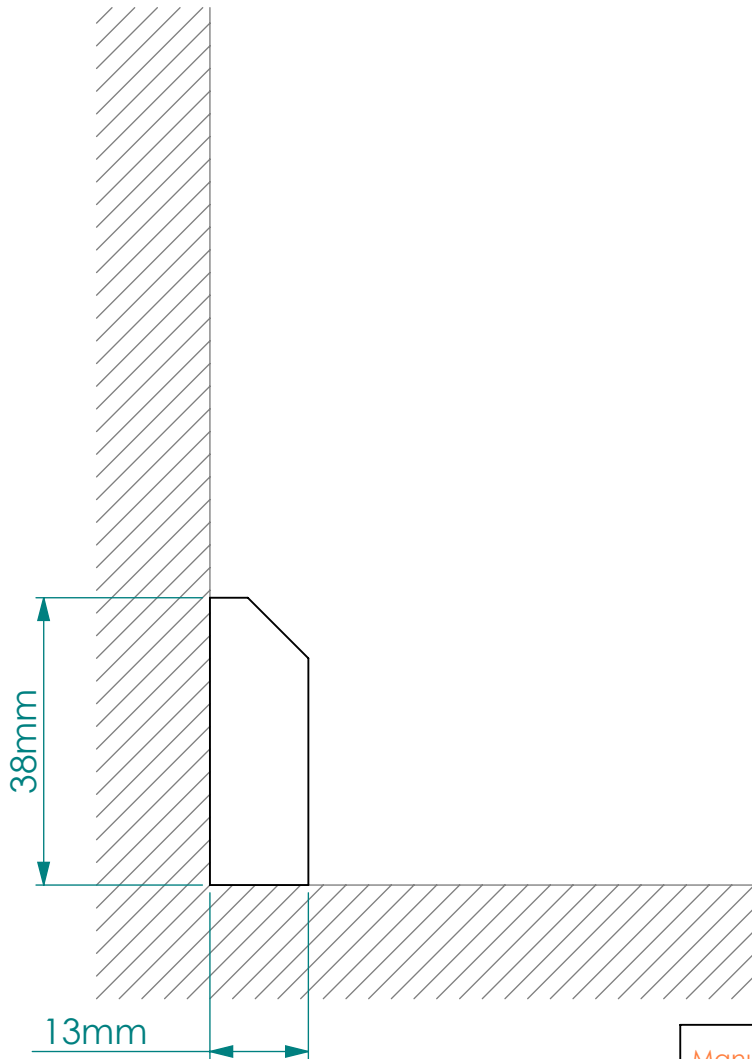
350

Scale

1:1

Version

00



Manufacturing tolerance : refer to technical datasheet

This document contains confidential information. It remains our entire property and can neither be reproduced nor communicated to third parties by whatever means, nor used for own purposes, in particular for the execution of what is represented thereon, without our written authorization.



Gert-Noël-Strasse
 B-4731 Eynatten - Belgium
 Tel +32 (0)87 85 85 00
 www.nmc-decoration.com
 info@nmc.eu

Product line

WALLSTYL®

Profile/Product name

FT1

Material

HDPS

Density

350

Scale

1:1

Version

00